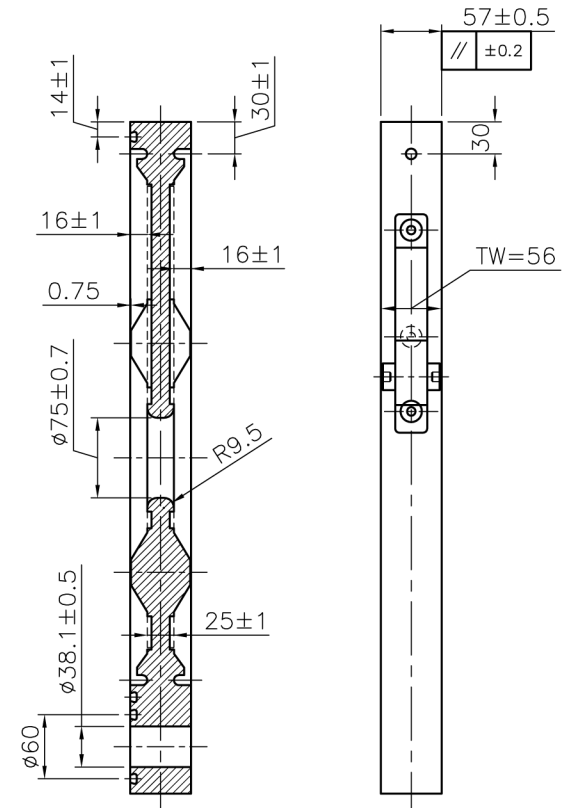


FRONT VIEW



SECTION A-A L.H. SIDE VIEW

Order Qty. = 85 nos.
 Plate Weight = 10.900 kgs.
 Filtration Area = 6.35 ft²
 Chamber Volume = 0.30 ft³
 Desing Pressure = 8 Bar (225PSI)

* ALL DIMENSIONS ARE IN MM.