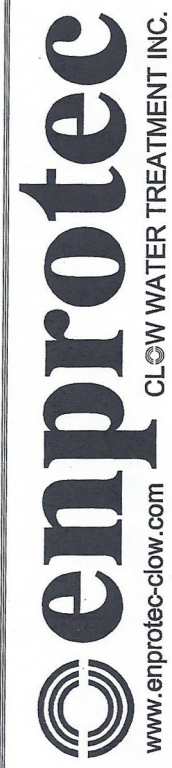
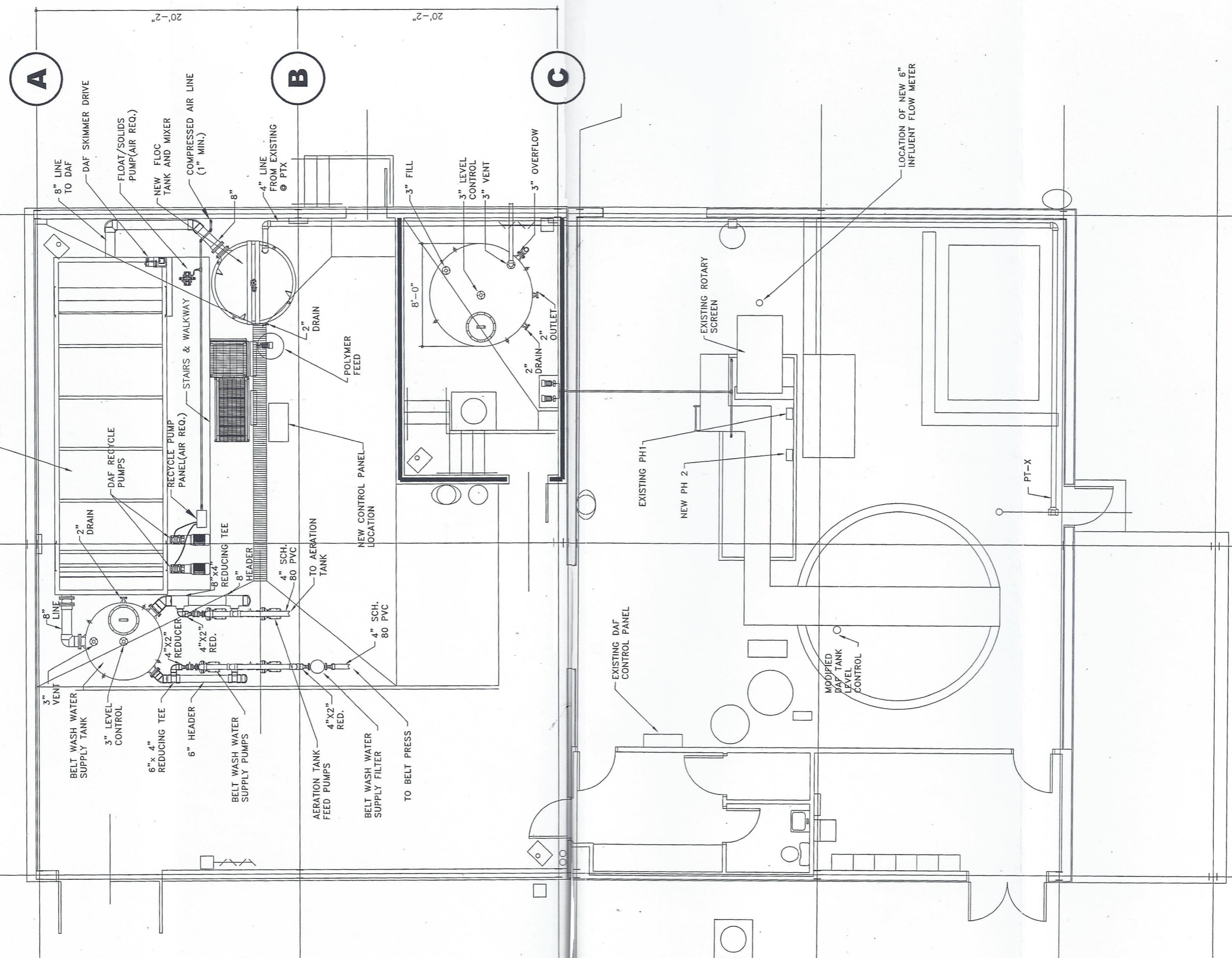


51'-2"

3

2

1



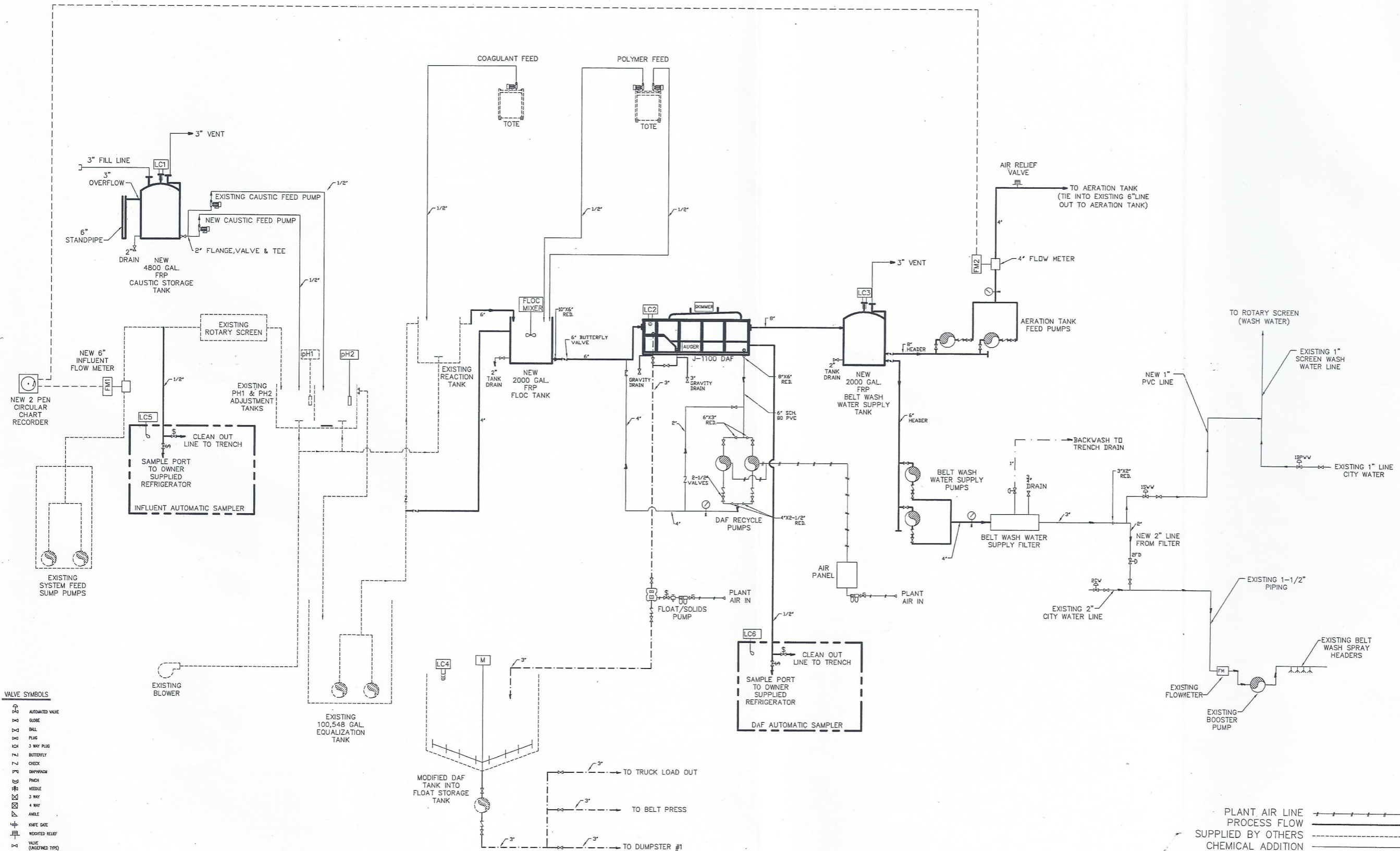
www.enprotec-clow.com CLOW WATER TREATMENT INC.
 4465 LIMABURG ROAD, HEBRON, KENTUCKY 41048
 PHONE: (859) 689-4300 FAX: (859) 689-4322

NO.	DATE	DESCRIPTION
2	11/28/08	UPDATE
MDC	11/13/08	UPDATE
1		

REVISIONS
 THESE DRAWINGS ARE PROPRIETARY TO ENPROTEC.
 THEY CONTAIN PROPRIETARY INFORMATION AND
 SHOULD NOT BE USED WITHOUT WRITTEN PERMISSION.

DRAWN BY: MKF
 CHECKED BY: DB
 DATE: 7/23/2008
 1/8" = 1'-0"

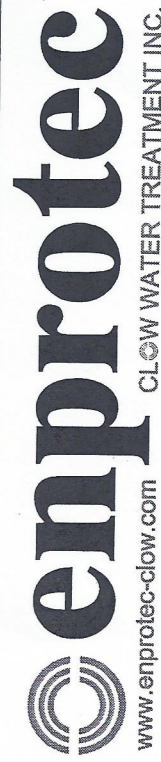
JOB NAME: KB FOODS GREENSBURG IN.
 JOB NUMBER: 93335
 TITLE: PRELIMINARY LAYOUT DAF ADDITION
 DRAWING: 93335-LAY
 SHEET NO.



VALVE SYMBOLS

⊕	AUTOMATED VALVE
⊗	CLOSE
⊙	BALL
⊕	PLUG
⊗	3 WAY PLUG
⊕	BUTTERFLY
⊗	CHECK
⊕	DIAPHRAGM
⊗	FRISK
⊕	MIDDLE
⊗	3 WAY
⊕	4 WAY
⊗	ANGLE
⊕	ROPE GATE
⊗	MODIFIED RELIEF
⊕	VALVE (UNDEFINED TYPE)
⊗	SPRAY NOZZLE
⊕	FLOAT VALVE

—	PLANT AIR LINE
—	PROCESS FLOW
---	SUPPLIED BY OTHERS
- - -	CHEMICAL ADDITION
- · -	PROCESS CONTROL
- · -	SLUDGE
- · -	FILTRATE
- · -	BACKWASH



www.enprotec-ciw.com
 4465 LIMABURG ROAD, HEBRON, KENTUCKY 41048
 PHONE: (859) 689-4300 FAX: (859) 689-4322

NO.	DATE	BY	DESCRIPTION
4	12/17/08	MDC	UPDATE
3	11/13/08	MDC	UPDATE
2	10/17/08	MDC	UPDATE
1	10/21/07	MDC	UPDATE

REVISIONS

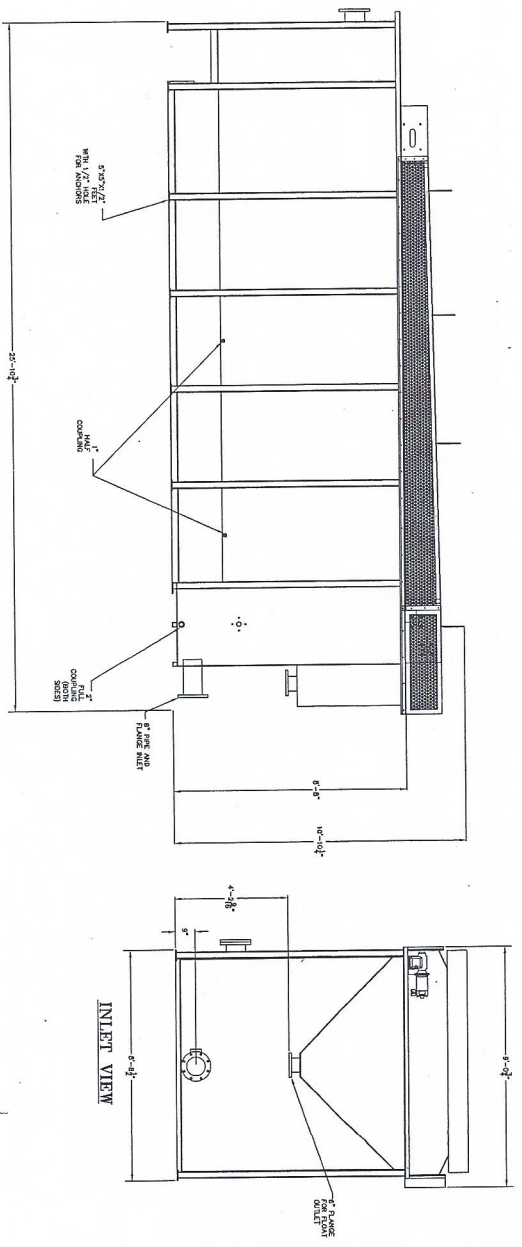
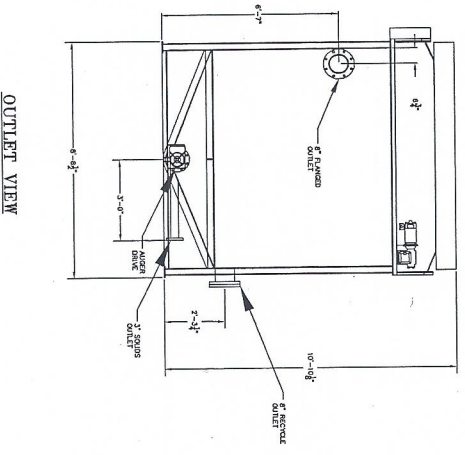
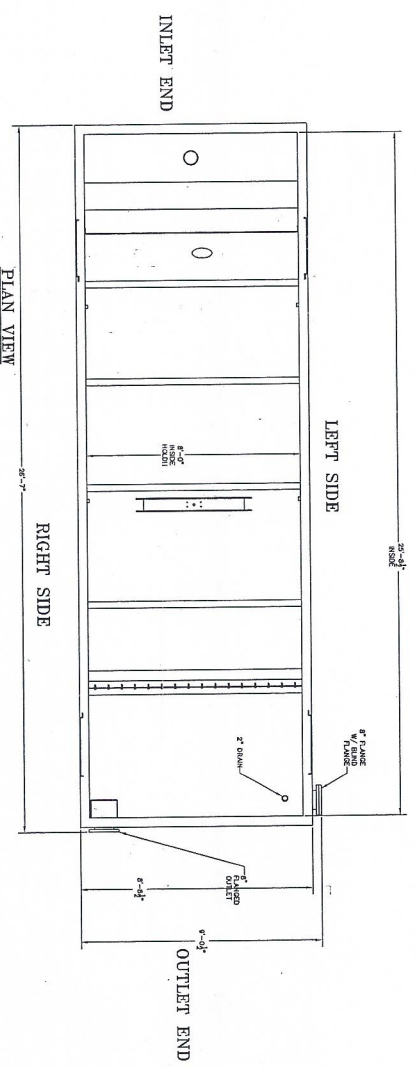
THESE DRAWINGS ARE PROPRIETARY TO ENPROTEC. THEY CONTAIN PROPRIETARY INFORMATION AND SHOULD NOT BE USED WITHOUT WRITTEN PERMISSION.

DRAWN BY: WTB
 D-SIZE SCALE: NTS
 P-SIZE SCALE: NTS

CHECKED BY: WTB
 DATE: 09/18/07

JOB NAME: KB FOODS
 GREENSBURG, IN
 JOB NUMBER: 93335
 TITLE: PRELIMINARY FLOW DIAGRAM
 DAF ADDITION
 DRAWING: 93335-PID
 SHEET NO.:

SIDE SELECTION	RIGHT	LEFT
FLOAT OUTLET	6"	
SOLIDS OUTLET	3"	



KB FOODS, GREENSBURG, IN

SERIES J1200 MODEL FLOTATION TANK, GENERAL ARRANGEMENT

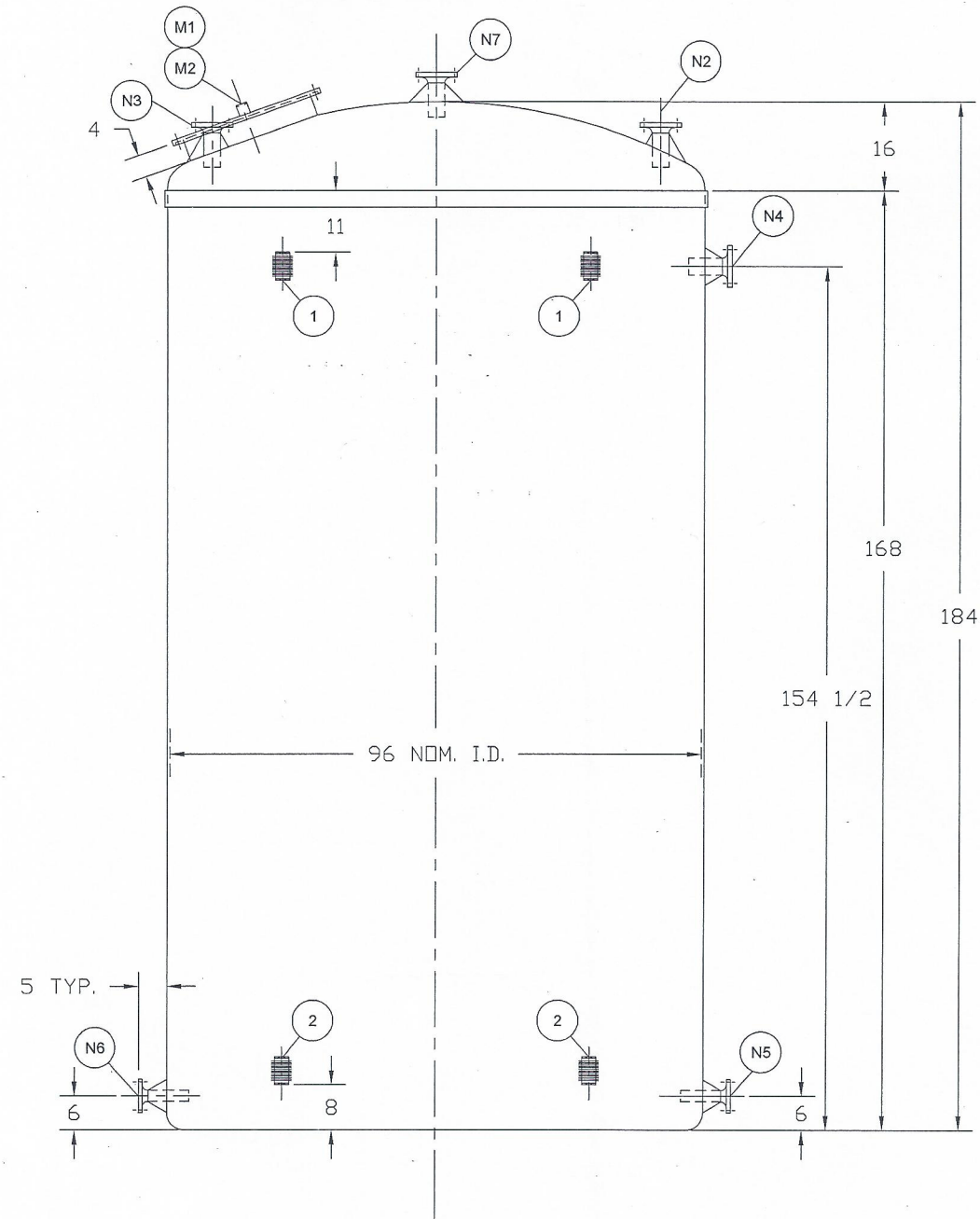
ALL DIMENSIONS ARE APPROXIMATE

THESE DRAWINGS ARE PROPRIETARY TO ENPROTEC. THEY CONTAIN PROPRIETARY INFORMATION AND SHOULD NOT BE USED, COPIED OR DISTRIBUTED WITHOUT WRITTEN PERMISSION.

www.enp.com
 4465 LINA, G ROAD, HERRON, KENTUCKY 41048
 PHONE: (859) 889-4300 FAX: (859) 889-4322

DRAWN BY: MKF CHECKED BY: DB SCALE: NTS FILE NAME: 93335-
 DATE: 7/23/2008

50% CAUSTIC SODA
STORAGE TANK



ELEVATION ONLY

(FITTINGS IN ELEVATION VIEW HAVE BEEN ORIENTED FOR ELEVATION REFERENCE ONLY. REFER TO ORIENTATION VIEW FOR TRUE PLACEMENT.)

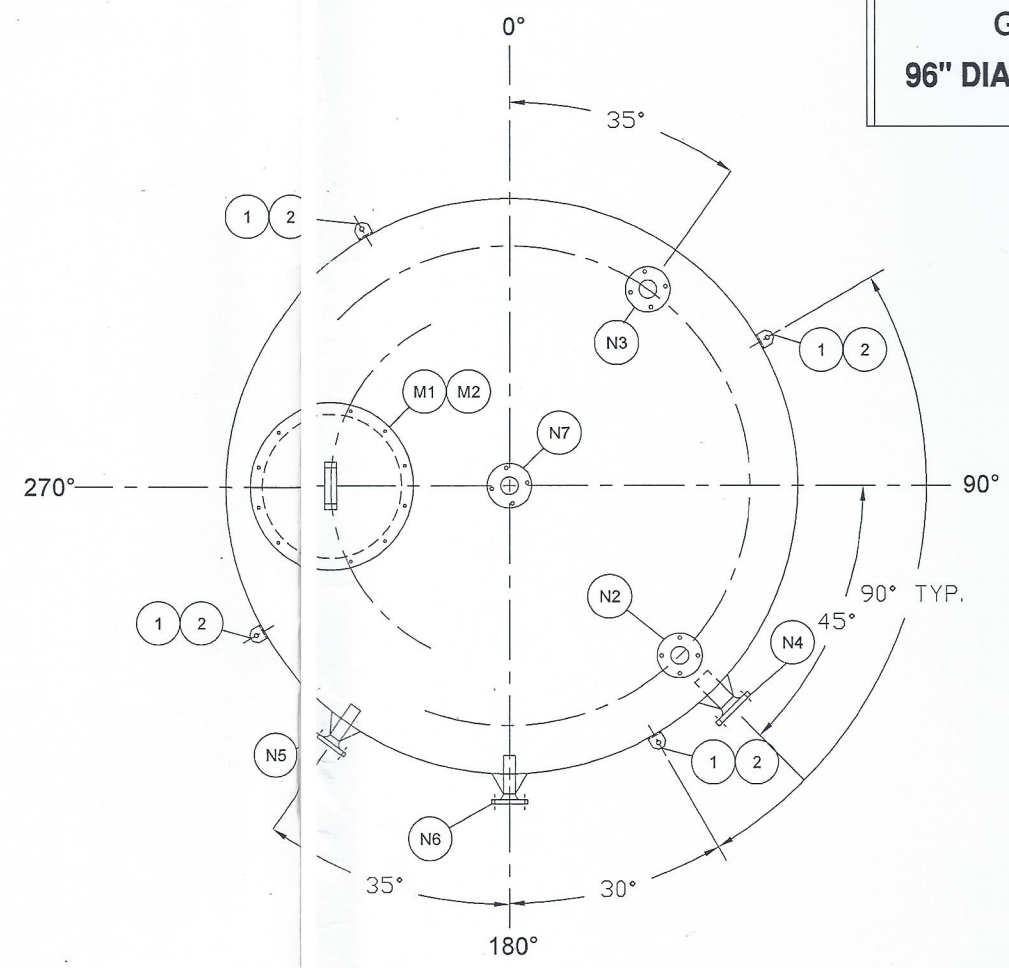
- LEVEL CONTROL -----
- OUTLET -----
- DRAIN -----
- OVERFLOW -----
- CAUSTIC FILL -----
- VENT -----

NOZZLES			
N7	1	3" 150# FLANGED NOZZLE W/ CONICAL GUSSET	F.R.P.
N6	1	2" 150# FLANGED NOZZLE W/ CONICAL GUSSET	F.R.P.
N5	1	2" 150# FLANGED NOZZLE W/ CONICAL GUSSET	F.R.P.
N4	1	3" 150# FLANGED NOZZLE W/ CON. GUSSET	F.R.P.
N3	1	3" 150# FLANGED NOZZLE W/ CON. GUSSET	F.R.P.
N2	1	3" 150# FLANGED NOZZLE W/ CON. GUSSET	F.R.P.

MANHOLES			
M2	1	28" DIA. COVER W. HANDLE & S.S. BOLTS & EPDM GASKET	F.R.P.
M1	1	24" DIA. TOP MANHOLE	F.R.P.

TANK COMPONENTS			
2	4	HOLD DOWN LUGS No. 2	C.S. POWDER COATED
1	4	LIFTING LUGS No. 2	C.S. POWDER COATED
ITEM	QTY.	DESCRIPTION	MATERIAL

GENERAL ARRANGEMENT
96" DIA. x 168" S.S. x 184" HIGH F.R.P. TANK



TRUE FITTING ORIENTATION

JOB NAME: KB FOODS
JOB NUMBER: 93335
DRAWING TITLE: CAUSTIC STORAGE TANK
GENERAL ARRANGEMENT
SHEET NO. 1

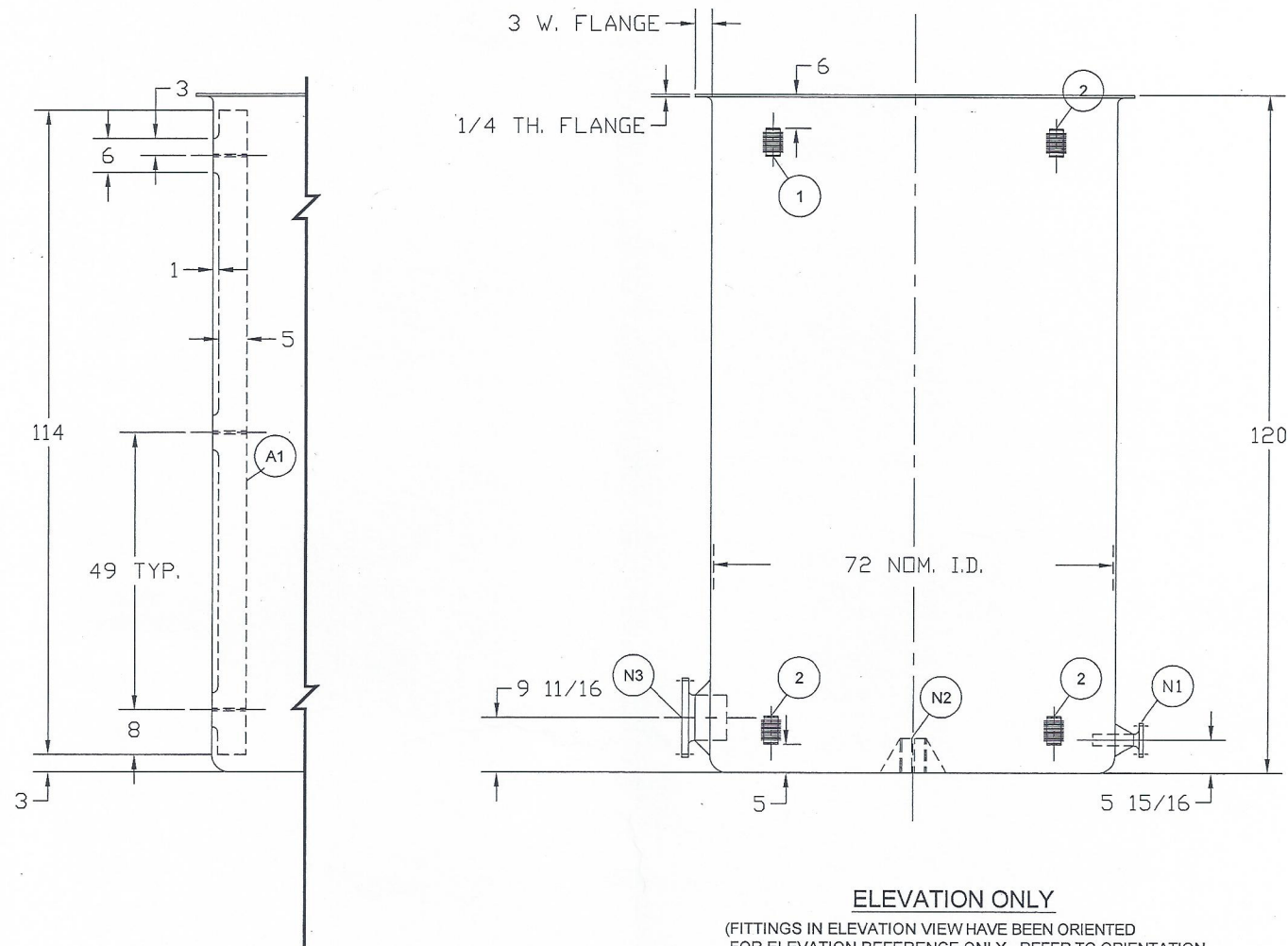
NO.	DATE	DESCRIPTION

THESE DRAWINGS ARE PROPRIETARY TO ENPROTEC. THEY CONTAIN PROPRIETARY INFORMATION AND SHOULD NOT BE USED WITHOUT WRITTEN PERMISSION.

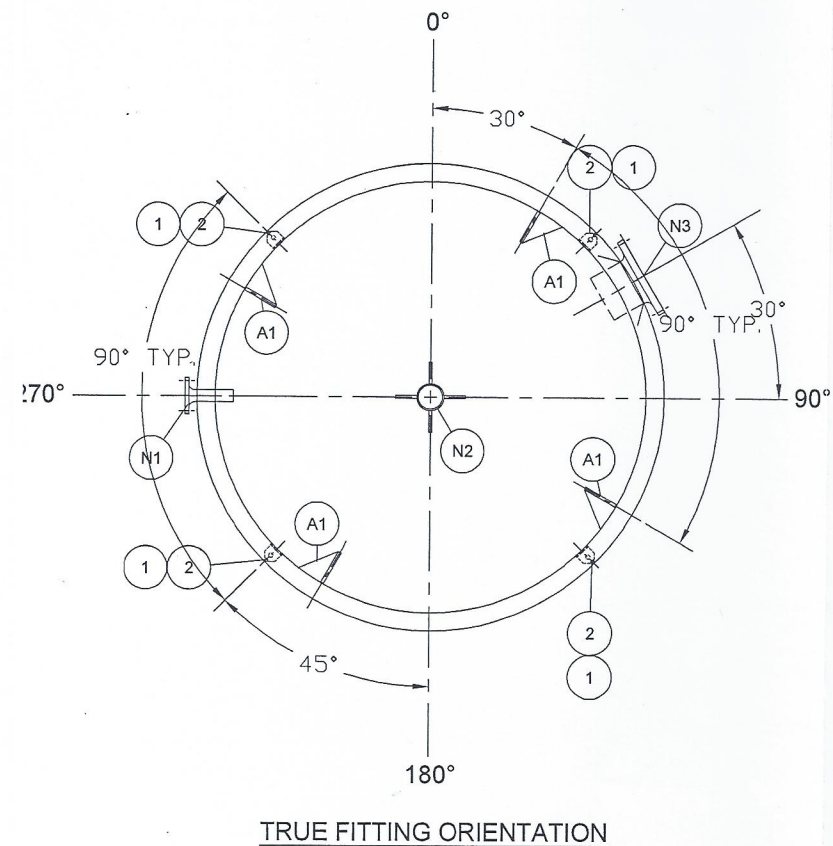
DRAWN BY: MDC
CHECKED BY: DGB
D-SIZE SCALE: 3/4"=1'0"
B-SIZE SCALE: 3/8"=1'0"
DATE: 8/18/08

enprotec
www.enprotec-clov.com
CLOW WATER TREATMENT INC.
4465 LIMABURG ROAD, HEBRON, KENTUCKY 41048
PHONE: (859) 689-4300 FAX: (859) 689-4322

FLOCCULATION TANK



ELEVATION ONLY
 (FITTINGS IN ELEVATION VIEW HAVE BEEN ORIENTED FOR ELEVATION REFERENCE ONLY. REFER TO ORIENTATION VIEW FOR TRUE PLACEMENT.)



TRUE FITTING ORIENTATION

ACCESSORIES			
A1	4	5" W. x 114" LG. PLATE-TYPE ANTI-SWIRL BAFFLES	F.R.P.
NOZZLES			
N3	1	8" 150# FLANGED NOZZLE W/ CONICAL GUSSET	F.R.P.
N2	1	4" DIA. x 6" LG. PIPE STUB W/ FULL PLATE GUSSETS	F.R.P.
N1	1	2" 150# FLANGED NOZZLE W/ CONICAL GUSSET	F.R.P.
TANK COMPONENTS			
2	4	HOLD DOWN LUGS No. 2	C.S. POWDER COATED
1	2	LIFTING LUGS No. 2	C.S. POWDER COATED
ITEM	QTY.	DESCRIPTION	MATERIAL
GENERAL ARRANGEMENT			
72" DIA. x 120" S.S. x 120" HIGH F.R.P. TANK			

OUTLET ---
 DRAIN ---

JOB NAME		KB FOODS	
JOB NUMBER		93335	
TITLE		FLOCCULATION TANK GENERAL ARRANGEMENT	
DRAWING NO.		93335 FLOC TANK	
SHEET NO.		1	
NO.	BY	DATE	DESCRIPTION
THESE DRAWINGS ARE PROPRIETARY TO ENPROTEC. THEY CONTAIN PROPRIETARY INFORMATION AND SHOULD NOT BE USED WITHOUT WRITTEN PERMISSION. DRAWN BY: MDC CHECKED BY: DGB D-SIZE SCALE: 3/4" = 1'-0" B-SIZE SCALE: 3/8" = 1'-0" DATE: 8/18/08			

enprotec
 www.enprotec-clow.com
 CLOW WATER TREATMENT INC.
 4465 LIMABURG ROAD, HEBRON, KENTUCKY 41048
 PHONE: (859) 689-4300 FAX: (859) 689-4322